

4

3

2

1

THIS DRAWING IS UNPUBLISHED.

RELEASED FOR PUBLICATION

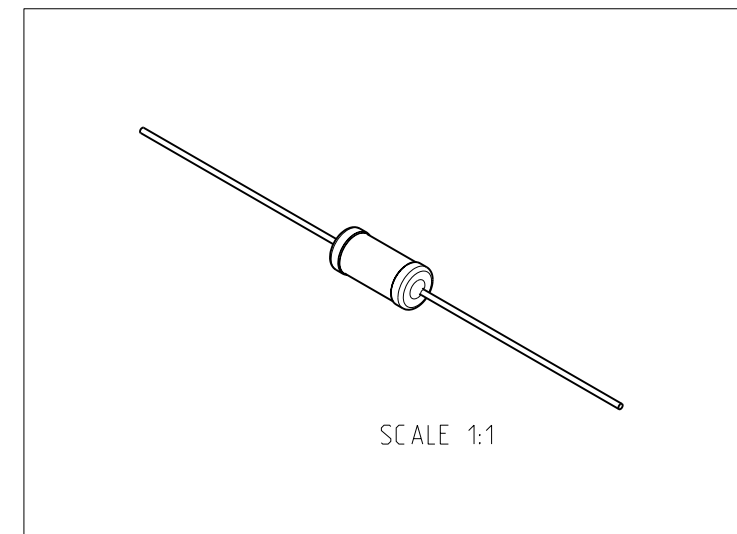
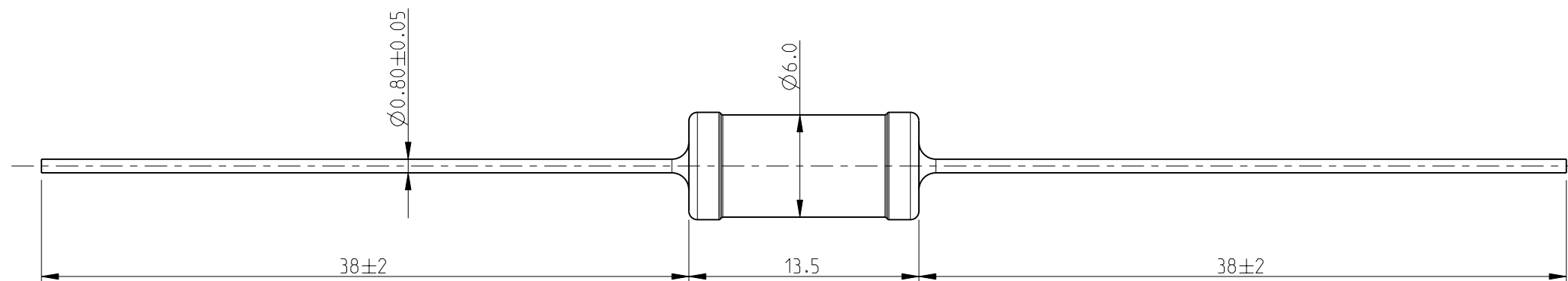
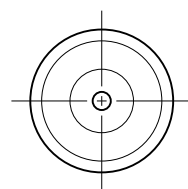
2008


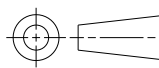
© COPYRIGHT 2008 BY -

ALL RIGHTS RESERVED.

LOC	DIST	REVISIONS			
P	LTR	DESCRIPTION	DATE	DWN	APVD
E	B	BA1	REVISED PER ECO-11-005150	29MAR2011	RK HMR

1. PACKAGING: AMMO PACKED
2. FOR FURTHER INFORMATION SEE DATA SHEET FOR SERIES ER/ERV- HIGH POWER RESISTORS



THIS DRAWING IS A CONTROLLED DOCUMENT.		DWN	SUBHASH.M	28-JUL-09	 TE Connectivity HIGH POWER RESISTORS SERIES ER74
DIMENSIONS: mm		CHK	ALLAN.P	28-JUL-09	
		APVD	STEPHEN.P	28-JUL-09	
TOLERANCES UNLESS OTHERWISE SPECIFIED:		PRODUCT SPEC		NAME	
0 PLC ± 0.2 1 PLC ± 0.1 2 PLC ± - 3 PLC ± - 4 PLC ± - ANGLES ± - ± 5°		APPLICATION SPEC		SIZE	
MATERIAL	-	WEIGHT		-	A3
FINISH		-		CAGE CODE	00779
-		-		DRAWING NO	1623746
-		-		RESTRICTED TO	-
CUSTOMER DRAWING				SCALE	3:1
				SHEET	1 OF 1
				REV	BA1